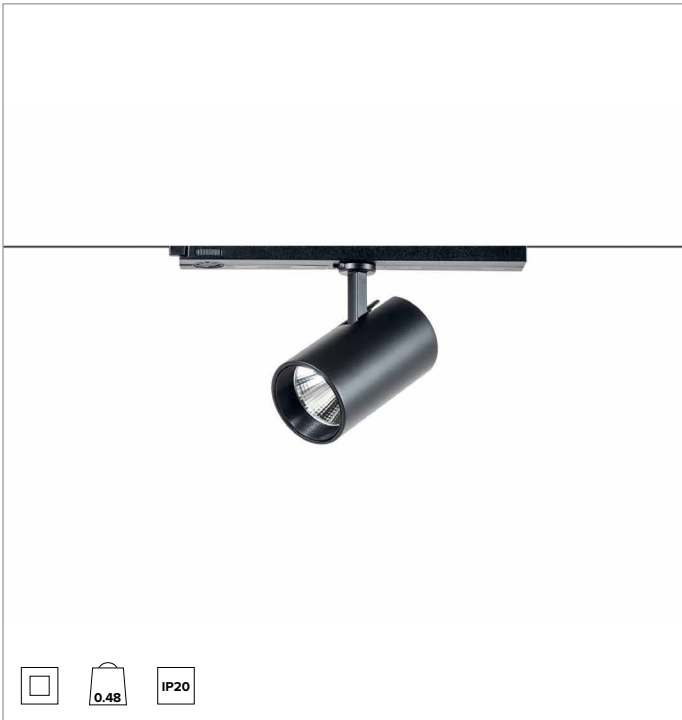
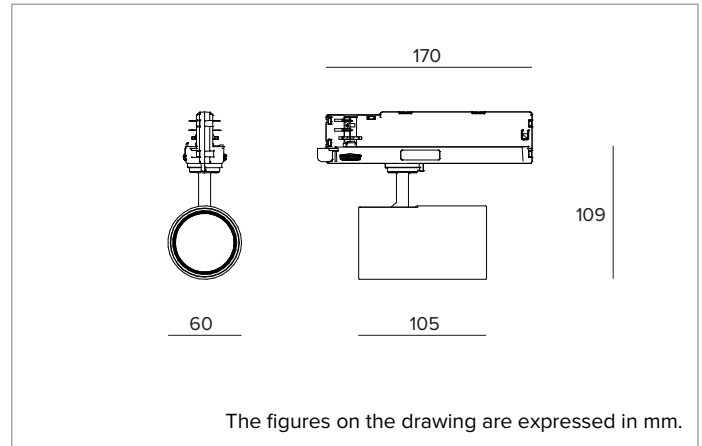


## 1T9085EL90 | LABEL 6

### Professional adjustable LED projector



		4000K	H(m)	D(m)	E <sub>max</sub> (lx)	
		Ra90		14°		
		Fixture Power	24W	1	0.25	22020
		Source Flux	2158lm	2	0.49	5505
		Fixture Flux	1776lm	3	0.74	2447
		Efficacy	73lm/W	4	0.99	1376
TS1969	I <sub>max</sub> =10204cd/klm	I <sub>max</sub>	22020cd	5	1.23	881



#### SOURCE

High efficiency Chip on Board LED Ra90. 2700K-3500K on request.

**Energy efficiency class:** F

**Nominal power:** 21W

**Nominal flux:** 2158lm

**Colour rendering index:** 90

**Rf:** 92

**Rg:** 102

**CCT nominal:** 4000K

**SDCM:** 1.5

**Lifetime (L80/B10):** >50000h tq +25°C

#### ILLUMINOTECHNICAL CHARACTERISTICS

SP - precision optics with a black silicone cut off ring. Version with a transparent PMMA lens.

**Optic:** LENS

**Beam angles:** SP

**Optical efficiency:** 82%

**Fixture flux:** 1776lm

**Luminous efficacy:** 72lm/W

**Photobiological safety:** Compliant with RG1 low risk group

#### MECHANICAL CHARACTERISTICS

Painted die-cast aluminium body. The optical unit can be adjusted from 0° a 90° on the vertical plane and 355° on the horizontal plane with the possibility to block the beam on the horizontal plane (friction locking system on the vertical plane).

**Colour and finish:** Deep black

**Dimensions:** D=60mm

**Weight:** 0.48Kg

**Degree of protection:** IP20

#### ELECTRICAL CHARACTERISTICS

Electronic ON-OFF power supply for track.

**Fixture Power:** 25W

**Power supply:** 220-240Vac 50/60Hz

**Insulation Class:** CLASS 2

**Type of driver / Control:** ON-OFF

**Driver included:** YES

**Class F:** YES

**Ambient temperature:** 0°C / +25°C

#### NOTES

The arm is and the adapter are supplied in the same colour as the body of the projector.

#### WARRANTY

5 years.

#### WARNING

Luminaire designed for disposal/recycling at end-of-life. Replaceable (LED only) light source by a professional. Replaceable control gear by a professional.

*Due to the technological evolution of the electronic components, the data provided may be updated, and as such, confirmation must be requested during the order process.*

*Luminous flux and power supply have +/-10% tolerances with respect to the indicated value. tq +25°C (CIE 121).*

*We reserve the right to make technical changes.*

Targetti Sankey S.r.l.  
Via Pratese, 164  
50145 Firenze - Italy  
Tel: +39 055 37911  
targetti.com  
targetti@targetti.com

CCIAA Firenze  
Share Capital:  
€ 500.000,00  
VAT N. (IT):  
01537660480  
R.E.A: FI-275656

**TARGETTI**

**1T9085EL90 | LABEL 6**  
**Professional adjustable LED projector**

**Accessories**

**Filter**



Ø mm	Code
50	<b>1T4721</b>

PMMA holographic filter with blade effect to ovalize the light beam; more evident when combined with spot and flood optics.

*Due to the technological evolution of the electronic components, the data provided may be updated, and as such, confirmation must be requested during the order process.*  
*Luminous flux and power supply have +/-10% tolerances with respect to the indicated value. tq +25°C (CIE 121).*

*We reserve the right to make technical changes.*

Targetti Sankey S.r.l.  
 Via Pratese, 164  
 50145 Firenze - Italy  
 Tel: +39 055 37911  
 targetti.com  
 targetti@targetti.com

CCIAA Firenze  
 Share Capital:  
 € 500.000,00  
 VAT N. (IT):  
 01537660480  
 R.E.A: FI-275656

